



# Báo Bài Tuần

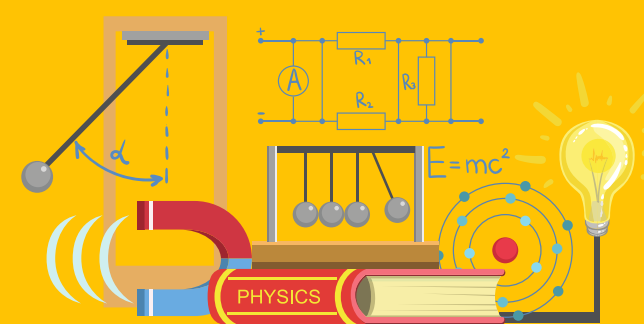
Vui lòng truy cập

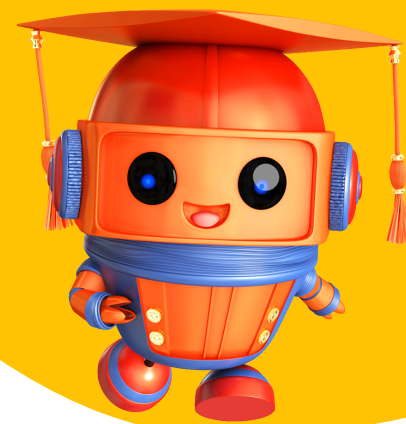
<https://ipro2.ismart.edu.vn>

hoặc quét mã để tải iPRO2 và ôn tập



Hotline: 1900 088 893





### Lesson 1

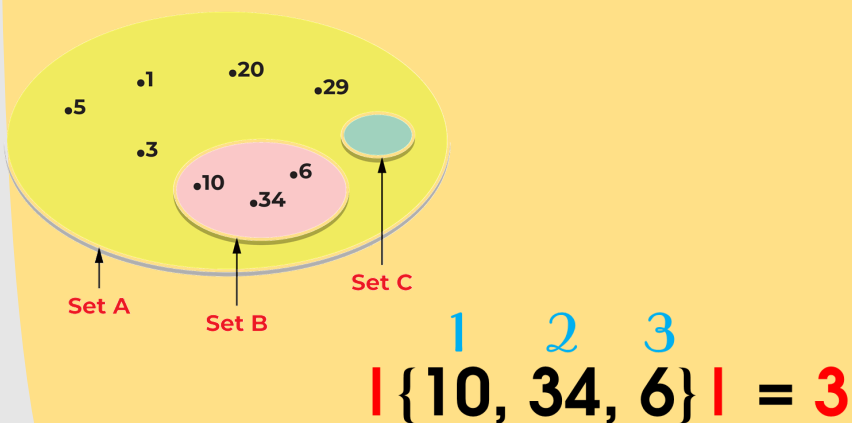
#### Cardinality and subset

[www.ipro2.ismart.edu.vn](http://www.ipro2.ismart.edu.vn)

1. The **cardinality of a set** is the number of elements in the set.
2. The **empty set** is the set that has no elements.
3. B is a **subset** of A if all the elements of B belong to A.
4. The **empty set** is a subset of all sets.

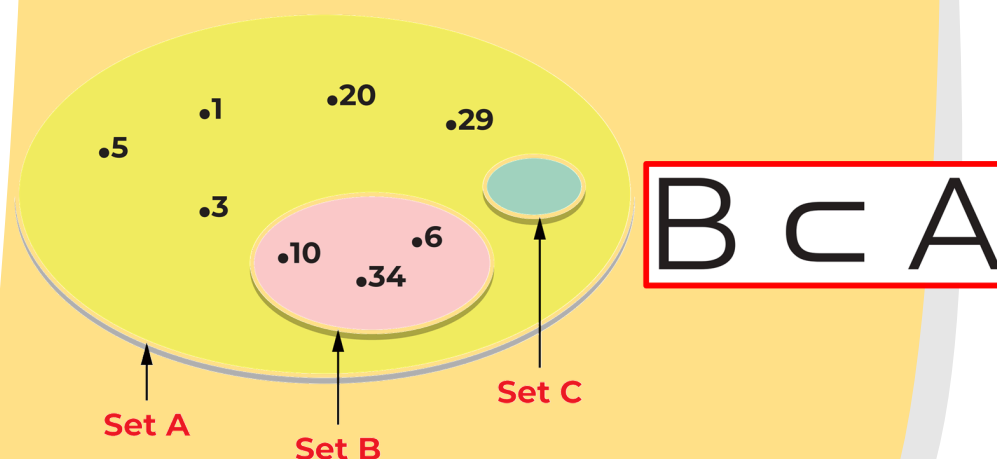
#### cardinality of a set

số lượng phần tử của 1 tập hợp



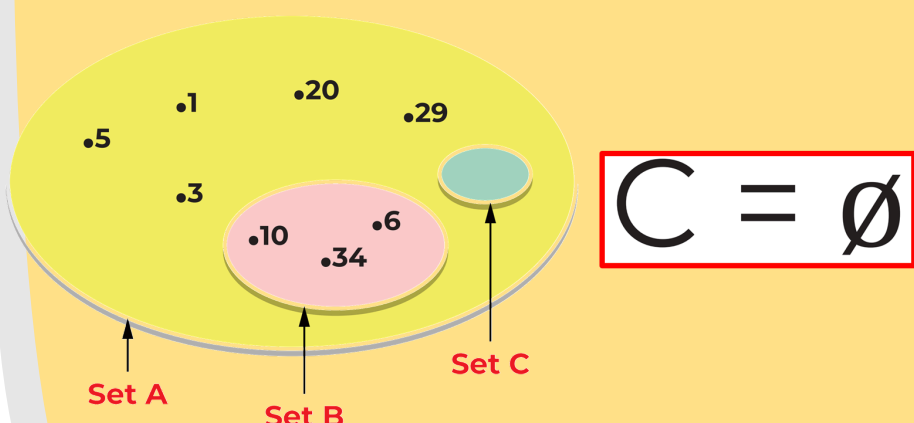
#### subset

tập hợp con



#### empty set

tập hợp rỗng



#### equal sets

tập hợp bằng nhau

$$A = \{4, 12, 32, 45, 98\}$$

$$B = \{98, 32, 12, 4, 45\}$$

$$A = B \text{ or } B = A$$



## UNIT 1: MATTER

### Lesson 4

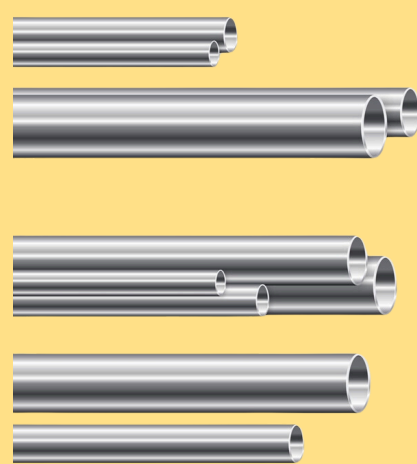
#### Materials

[www.ipro2.ismart.edu.vn](http://www.ipro2.ismart.edu.vn)

- 1. Wood** is a natural material. It is collected from trees and is usually used for making furniture.
- 2. Iron** is a natural material and is one of the most popular metals. It is widely used in making tools and building structures.
- 3. Glass** is a man-made material. It is produced from melted sand. It is used in making mirrors, fish tanks and cups.
- 4. Plastic** is a man-made material. Plastic can be found in tools, vehicles, electronic devices, etc.

#### iron

sắt



#### plastic

nhựa



#### wood

gỗ



#### glass

thủy tinh

